



# Coupon Cutter

*Cut straps consistently and efficiently*

## The Sawyer Value

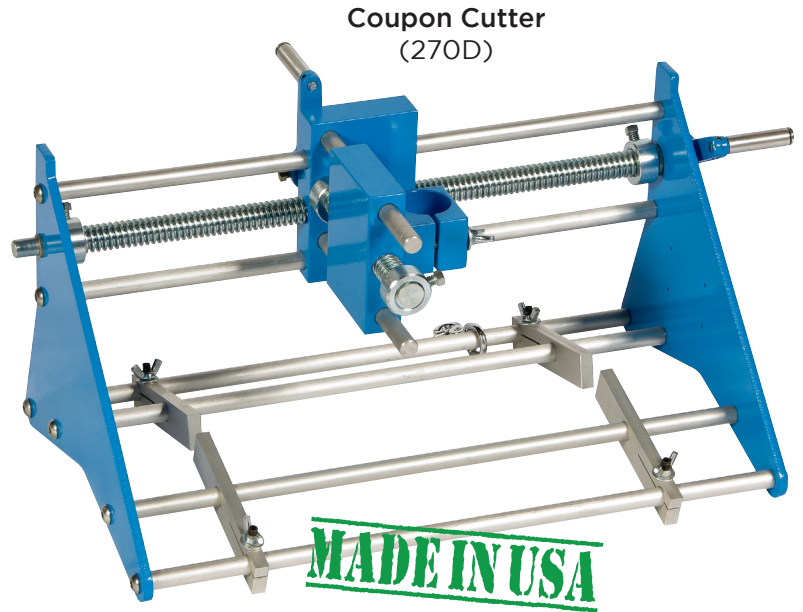
- One machine is capable of 3"x14" coupons
- Lightweight, cast aluminum and steel alloy construction, easily transportable
- Easy to use
- Left or right hand operation
- Accommodates standard machine torches
- Comes with Locking Boomer
- Centers on pipe
- 1 year warranty

## Compare To

- Mathey Dearman (2 sizes)

## Testimonials

- "Due to the increased requirement for machine cut straps, you can't beat this machine in its value and simplicity." ~ JT, Distributor



6 turns per inch

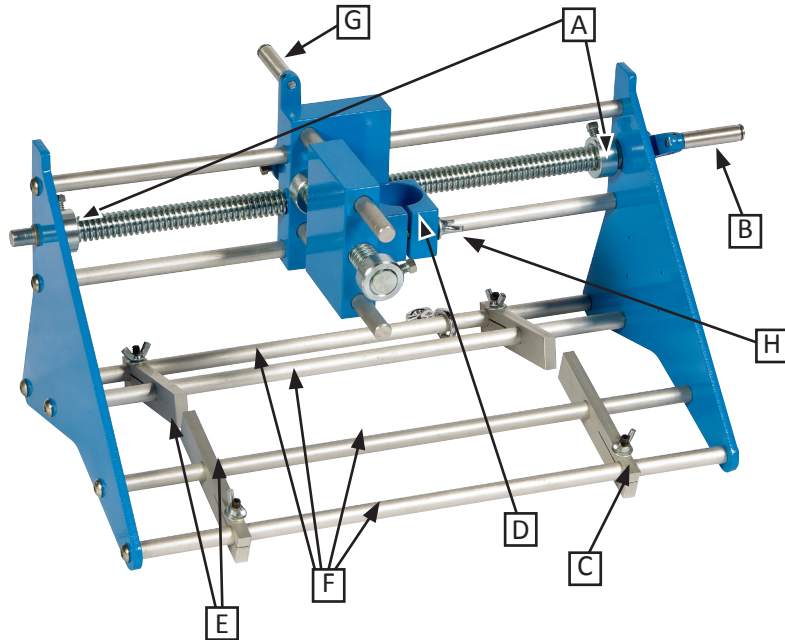
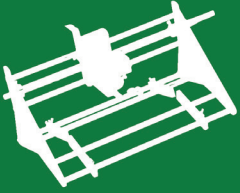
Right or left hand application

Easy to operate

Model No.	Description	Est. Shipping Wgt.
270D	Coupon Cutter	16 lbs. 7.25 kg

### **30 Seconds (or less!) Sales Statement:**

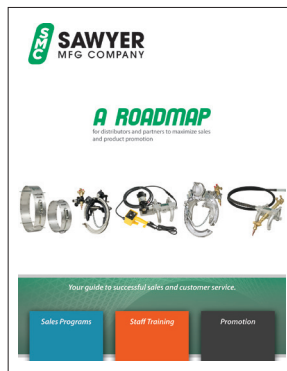
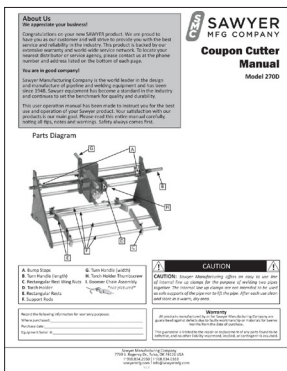
Sawyer Mfg's Coupon Cutter is quality-built and made to last. Cast aluminum and steel alloy construction make the device lightweight and portable. The coupon cutter provides simplistic style and ease of use. With a conventional machine torch, you can cut coupons up to 3" x 14". Coupons are the largest in the industry, requiring only one machine.



### Parts Diagram

- A. Bump Stops
- B. Turn Handle (length)
- C. Rectangular Rest Wing Nuts
- D. Torch Holder
- E. Rectangular Rests
- F. Support Rods
- G. Turn Handle (width)
- H. Torch Holder Thumbscrew
- I. Boomer Chain Assembly *\*not shown\**

### For Additional Resources:



Contact Sawyer Mfg. Co for  
Coupon Cutter Manual and  
Marketing Material

<http://www.sawyerfmfg.com>

Coupon Cutter Video

<http://www.youtube.com/user/SawyerMFG>



**SAWYER MFG COMPANY**

7799 S Regency Drive • Tulsa, OK 74131  
P (918) 834-2550 • F (918) 834-0318