

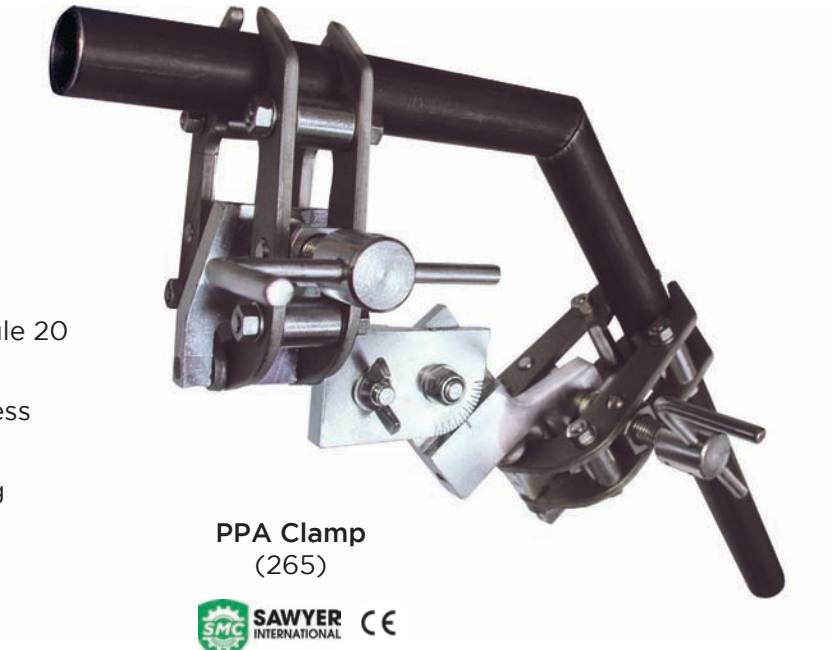


# PPA Clamp

*Precision pipe alignment*

## The Sawyer Value

- Available in 2 sizes:  $\frac{3}{8}$ "-2  $\frac{3}{4}$ " and 2"-4  $\frac{1}{2}$ "
- Available in 2 styles: fixed or angle
- Aligns small diameter thin wall pipe
- Incredible accuracy on pipes up to Schedule 20
- Clamp jaws work independently to enable pipes to be concentrically aligned regardless of their diameters
- Designed to be compatible with all leading Orbital Welding Heads
- High purity stainless steel, will not contaminate SS pipes
- 1 year warranty



**Will not  
contaminate  
stainless steel**

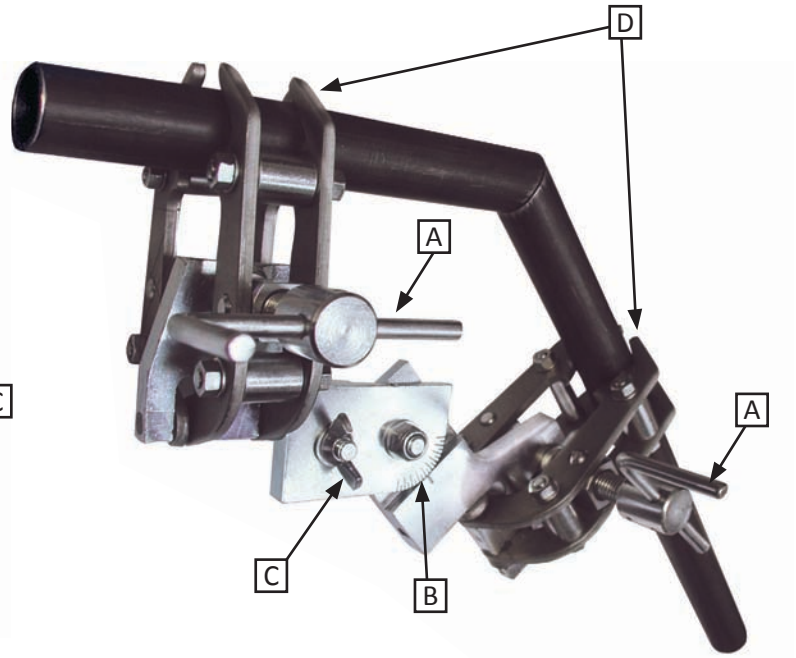
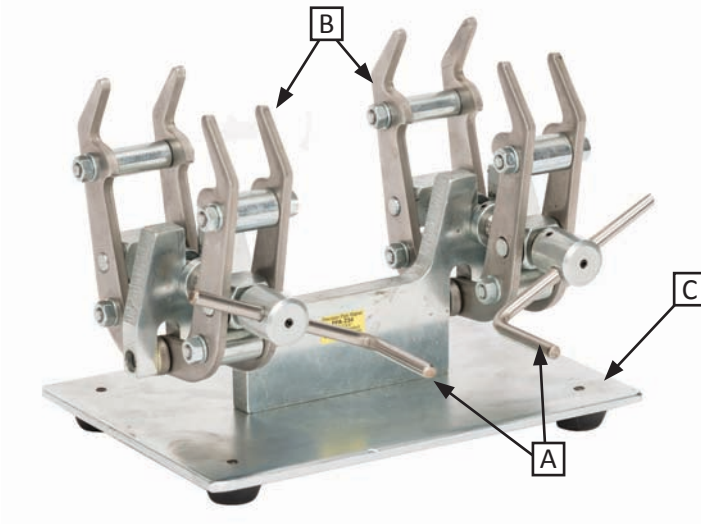
**Independent clamp  
jaws for concentric  
alignment**

**Accurate  
alignment of  
small pipes**

Model No.	Description	Est. Shipping Wgt.
265	Precision Pipe Clamp Fixed	5.5 lbs. 2.5 kg
265	Precision Pipe Clamp Flexible	8.82 lbs. 4 kg
	Precision Pipe Clamp Base	2.86 lbs. 1.3 kg

### ***30 Seconds (or less!) Sales Statement:***

The PPA clamp is perfect for alignment of small diameter thin wall pipes and offers incredible accuracy on pipes up to Schedule 20, enabling the welder to achieve perfect welds. The clamp jaws work independently to enable pipes to be concentrically aligned regardless of their diameters. These clamps are designed to provide adequate clearance for Orbital Welding Heads.



Parts Diagrams

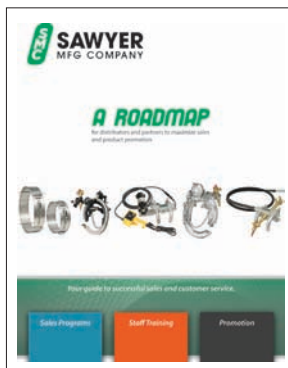
**Fixed Clamp**

- A. Tightening Handle
- B. Pipe Jaws
- C. Optional Base Unit

**Angle Clamp**

- A. Tightening Handle
- B. Angle Indicator
- C. Adjustment Screws
- D. Pipe Jaws

For Additional Resources:



Contact Sawyer Mfg. Co for  
PPA Clamp Manual and  
Marketing Material

<http://www.sawyerimg.com>



**SAWYER MFG COMPANY**

7799 S Regency Drive • Tulsa, OK 74131  
P (918) 834-2550 • F (918) 834-0318